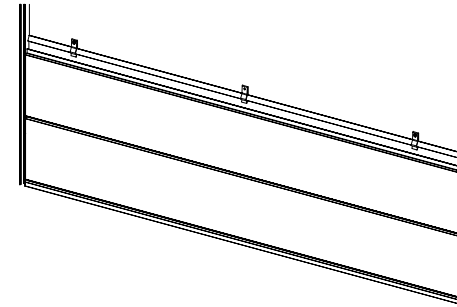


CLADDING



PHYSICAL DATA

6060/6063-T5 Extruded Aluminum  
100% Recyclable  
15 year warranty

WEIGHT

plank 4" [100mm] - 1.64 lb/sqft [8kg/m<sup>2</sup>]  
plank 6" [150mm] - 1.64 lb/sqft [8kg/m<sup>2</sup>]  
plank 8" [200mm] - 1.6 lb/sqft [7.8kg/m<sup>2</sup>]  
plank 10" [250mm] - 1.47 lb/sqft [7.2kg/m<sup>2</sup>]

TESTING

Experimental verification of resistance performance to wind load under dynamic pressure and impact resistance (IRCCOS-TCLab section of Building Future Lab located in the Mediterranea University of Reggio Calabria)

Reaction to fire test (CS located in Senago (MI)).



**Wind load**  
Up to 149.1 mph [240 km/h]



**Resistance to soft body impact test**  
Reference standard:  
EAD 090062-00-0404  
Category I



**Reaction to fire test**  
Reference standards:  
EN 13823:2020  
EN ISO 1716:2018  
EN 13501-1:2019  
A2-S2-d0

PLANKS

4" [100mm], 6" [150mm], 8" [200mm], 10" [250mm]  
Plank

TRIMS

Starter strip  
Trim base  
J-Trim cover  
Long J-Trim cover  
Corner profile A  
Corner profile B  
H-Trim Cover

Standard lengths  
19' [5790mm] (usable length 18'9" [5715mm])

CLIPS AND CONNECTORS

Screen clip (100 pcs/bag)  
Celloflex gasket (250 pcs/bag)

FASTENING

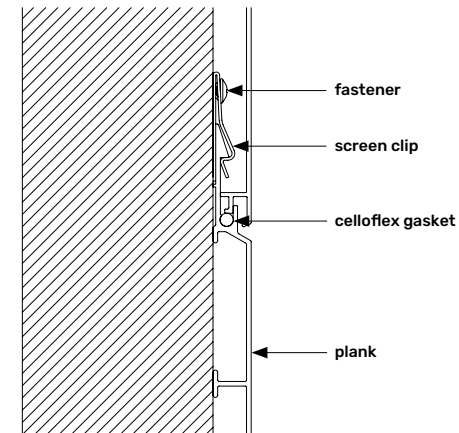
Stainless steel wood screws with pan head #9 [4.5mm]  
Stainless steel self-drilling screws with round head #8 [4.2mm]  
Stainless steel self-tapping screws with round head #8 [4.2mm]

FINISHES

Powder-on-powder wood-grain decoration  
Sublimated wood-grain decoration  
Exclusive digital printed wood-grain decoration  
Powder coated  
Anodized finish

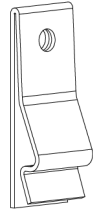
BIM&CAD

RVT&DWG files available, see website for details

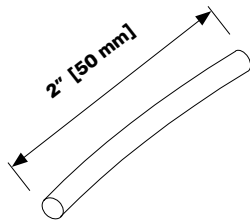


CLADDING

Planks				End profiles		
<p>4" [100 mm]</p>	<p>6" [150 mm]</p>	<p>8" [200 mm]</p>	<p>10" [250 mm]</p>	<p>0.59" [15 mm]</p>		
CC00100 4" [100 mm] Plank	CC00150 6" [150 mm] Plank	CC00200 8" [200 mm] Plank	CC00250 10" [250 mm] Plank	CC00002 Trim base		
				<p>1.18" [30 mm]</p>		
				CC00003 J-trim cover		
<p>0.59" [15 mm]</p>	<p>1.7" [44 mm]</p>		<p>1.18" [30 mm]</p>		<p>1.57" [40 mm]</p>	
CC00001 Starter strip	CC00010 H-Trim cover		CC00011 Corner profile A		CC00012 Corner profile B	
				<p>3.15" [80 mm]</p>		
				CC00007 Long J-Trim cover		



		Qty per bag
FA15001	Screen clip	100



		Qty per bag
FA30005	Celloflex gasket	250