

**FOR
ME**
DESIGN

SKIN
Indoor & Outdoor
Aluminum Wall Cladding

INSTALLATION GUIDE

BATTENS LIGHT



SUSPENDED CEILING

INSTALLATION



The system includes a range of battens with depth of 0.98" (25 mm) and 2.95" (75 mm) and spacers of 0.79" (20 mm), 1.18" (30 mm) and 1.57" (40 mm) to create a ribbed effect with variable depth and width and cut-to-size spacers. **Corner profiles** give continuity to corner and curved walls, while **frame profiles** create light effects thanks to the **led holder**.

Battens are applied to the wall utilizing a substructure with nylon clips, that lock with rotation and then securing the battens with a precise and robust snap.

The locking system is mechanical. It allows quick installation and easy maintenance and/or replacement of the battens in case of damage.

**NON-COMBUSTIBLE**

ForMe Skin is the ideal solution for cladding jobs requiring high fire performance as the products meet fire resistance requirements according to current legislation.

**QUICK AND EASY TO INSTALL**

The installation of ForMe Skin is quick and intuitive. It requires no specialist skills. One single operator can apply the wall cladding system in a few simple steps. From the design choices to the decoration application to the type of substructure, the whole process is guided in every detail guaranteeing safety, easy installation and quick maintenance.



Finishings ForMe's partner **DFV**

ForME, thanks to the great experience gained in the field of surface finishes of the parent company DFV s.r.l., is able to offer high quality products that ensure a long life. The DFV Group is a leader in Europe in the surface finishes of extruded aluminum profiles, it controls the entire supply chain, from extrusion to powder coating to decoration.

The only company to be able to offer in addition to the normal solid color finishes, 3 different types of wood-effect decoration on profiles and aluminum laminates, with a wide variety of finishes with very high resistance.

Our decoration technologies include:



HD PRINTING

Exclusive - High definition Digital technology that allows to replicate all types of finishes on aluminum profiles.



POWDER ON POWDER COATED

Ezy - Wood-grain effect made with powder on powder technology developed entirely in DFV.



SUBLIMATION COATED

Sublimall - Wood-grain effect made with sublimation technology.



RAL COATED

Solid color finish.

FULL QUALITY, SAFE ENVIRONMENT, GUARANTEED SAFETY

UNI EN ISO 9001:2015
UNI EN ISO 14001:2015
UNI ISO 45001:2018
QUALICOAT
QUALICOAT SEASIDE
QUALICOAT QUALIDECO
AAMA 2604
AAMA 2605

COMPANY WITH QAS MANAGEMENT SYSTEM CERTIFIED BY IWA CERMET ITALIA

ISO 9001:2015 - Reg. No 9443 - A
ISO 14001:2015 - Reg. No 9443 - E
ISO 45001:2018 - Reg. No 9443 - I



CLASSE 2

Lic. n° 761 - Surano
Lic. n° 780 - Agrigento
Lic. n° 763 - Meolo



CLASSE 2

Lic. n° IT-0012 - Surano
Lic. n° IT-0022 - Agrigento
Lic. n° IT-0014 - Meolo

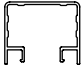
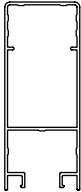

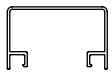
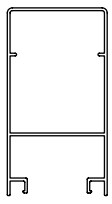

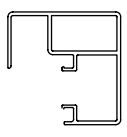
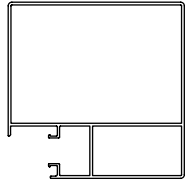
Warranty

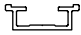
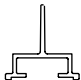

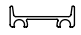


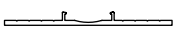
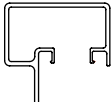



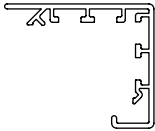
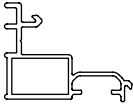
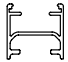
DFV finishes are made with respect for the environment and mainly use dry paints without the use of solvents or other volatile substances. Great attention is also paid to the preparation of surfaces and pre-treatment, that ensure high performance with the use of Chrome-free chemicals.

Profile legend

Profiles

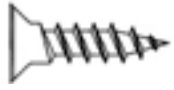
CODE		DESCRIPTION	LENGTH	QUANTITY PER BUNDLE
Battens	BA30026	 1.18" x 0.98" Batten (30 mm x 25 mm Batten)	16'9" (net 16'6") 5100 mm (net 5020 mm) 21'4" (net 21'1") 6500 mm (net 6420 mm)	20 pcs
	BA30032	 1.18" x 2.95" Batten (30 mm x 75 mm Batten)	16'9" (net 16'6") 5100 mm (net 5020 mm) 21'4" (net 21'1") 6500 mm (net 6420 mm)	12 pcs
	BA30021	 1.18" Cover (30 mm Cover)	16'9" (net 16'6") 5100 mm (net 5020 mm) 21'4" (net 21'1") 6500 mm (net 6420 mm)	42 pcs
	BA40001	 1.57" x 0.98" Batten (40 mm x 25 mm Batten)	16'9" (net 16'6") 5100 mm (net 5020 mm) 21'4" (net 21'1") 6500 mm (net 6420 mm)	32/16 pcs
	BA40002	 1.57" x 2.95" Batten (40 mm x 75 mm Batten)	16'9" (net 16'6") 5100 mm (net 5020 mm) 21'4" (net 21'1") 6500 mm (net 6420 mm)	8 pcs
	BA40003	 2.95" Cover (40 mm Cover)	16'9" (net 16'6") 5100 mm (net 5020 mm) 21'4" (net 21'1") 6500 mm (net 6420 mm)	33 pcs
Corner battens	BA30027	 0.98" Corner batten (25 mm Corner batten)	16'9" (net 16'6") 5100 mm (net 5020 mm) 21'4" (net 21'1") 6500 mm (net 6420 mm)	8 pcs
	BA30028	 2.95" Corner batten (75 mm Corner batten)	16'9" (net 16'6") 5100 mm (net 5020 mm) 21'4" (net 21'1") 6500 mm (net 6420 mm)	3/2 pcs

	CODE		DESCRIPTION	LENGTH	QUANTITY PER BUNDLE
Fixing bars	BA30002		Fixing bar	21'4" (net 21'1") 6500 mm (net 6420 mm)	44 pcs
	BA30020		Suspended ceilings fixing bar	21'4" (net 21'1") 6500 mm (net 6420 mm)	18 pcs
	BA30019		Fixing bar cover	21'4" (net 21'1") 6500 mm (net 6420 mm)	48 pcs
Spacers	BA30001		0.79" Spacer (20 mm Spacer)	16'9" (net 16'6") 5100 mm (net 5020 mm) 21'4" (net 21'1") 6500 mm (net 6420 mm)	56 pcs
	BA30017		1.18" Spacer (30 mm Spacer)	16'9" (net 16'6") 5100 mm (net 5020 mm) 21'4" (net 21'1") 6500 mm (net 6420 mm)	42 pcs
	BA30018		1.57" Spacer (40 mm Spacer)	16'9" (net 16'6") 5100 mm (net 5020 mm) 21'4" (net 21'1") 6500 mm (net 6420 mm)	36 pcs
	BA30033		Cut-to-size spacer	21'4" (net 21'1") 6500 mm (net 6420 mm)	22 pcs
Finishing profiles	BA30024		End batten	16'9" (net 16'6") 5100 mm (net 5020 mm) 21'4" (net 21'1") 6500 mm (net 6420 mm)	7 pcs
	BA30025		End cut-to-size spacer	16'9" (net 16'6") 5100 mm (net 5020 mm) 21'4" (net 21'1") 6500 mm (net 6420 mm)	20 pcs

CODE		DESCRIPTION	LENGTH	QUANTITY PER BUNDLE
BA30007		Frame for 0.98" batten	21'4" (net 21'1") 6500 mm (net 6420 mm)	6 pcs
BA30008		Led holder for 0.98" batten	21'4" (net 21'1") 6500 mm (net 6420 mm)	6 pcs
BA30023		Led holder profile	21'4" (net 21'1") 6500 mm (net 6420 mm)	16 pcs

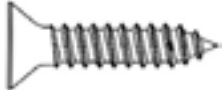
Led holder profiles

Screws



Wood

Stainless steel wood screw #10 with countersunk head

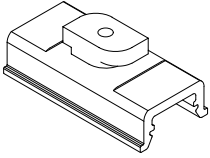
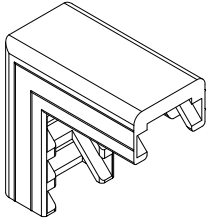
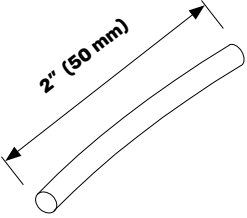




Metal furring

Stainless steel self-tapping screw #10 with countersunk head

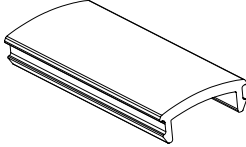
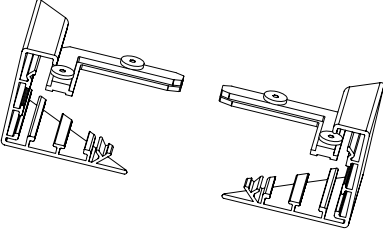
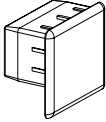
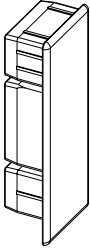
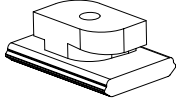
Tools legend

Clips and Connectors

	<table border="1"> <thead> <tr> <th colspan="2"></th> <th style="text-align: right;">Qty per bag</th> </tr> </thead> <tbody> <tr> <td>FA30001</td> <td>1.18" batten nylon clip</td> <td style="text-align: right;">100</td> </tr> </tbody> </table>			Qty per bag	FA30001	1.18" batten nylon clip	100
		Qty per bag					
FA30001	1.18" batten nylon clip	100					
	<table border="1"> <thead> <tr> <th colspan="2"></th> <th style="text-align: right;">Qty per bag</th> </tr> </thead> <tbody> <tr> <td>FA30004</td> <td>1.18" plastic corner joint</td> <td style="text-align: right;">50</td> </tr> </tbody> </table>			Qty per bag	FA30004	1.18" plastic corner joint	50
		Qty per bag					
FA30004	1.18" plastic corner joint	50					
	<table border="1"> <thead> <tr> <th colspan="2"></th> <th style="text-align: right;">Qty per bag</th> </tr> </thead> <tbody> <tr> <td>FA30005</td> <td>celloflex gasket</td> <td style="text-align: right;">250</td> </tr> </tbody> </table>			Qty per bag	FA30005	celloflex gasket	250
		Qty per bag					
FA30005	celloflex gasket	250					
	<table border="1"> <thead> <tr> <th colspan="2"></th> <th style="text-align: right;">Qty per bag</th> </tr> </thead> <tbody> <tr> <td>FA30006</td> <td>corner joint for open profiles</td> <td style="text-align: right;">250</td> </tr> </tbody> </table>			Qty per bag	FA30006	corner joint for open profiles	250
		Qty per bag					
FA30006	corner joint for open profiles	250					
	<table border="1"> <thead> <tr> <th colspan="2"></th> <th style="text-align: right;">Qty per bag</th> </tr> </thead> <tbody> <tr> <td>FA30007</td> <td>corner joint with outward buttons</td> <td style="text-align: right;">250</td> </tr> </tbody> </table>			Qty per bag	FA30007	corner joint with outward buttons	250
		Qty per bag					
FA30007	corner joint with outward buttons	250					

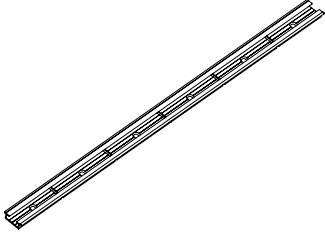
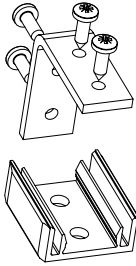


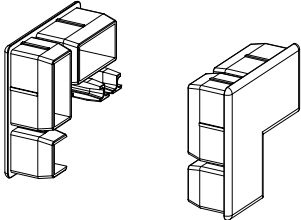
Tools legend

Clips and Connectors

	<table border="1"> <thead> <tr> <th colspan="2"></th> <th style="text-align: right;">Qty per bag</th> </tr> </thead> <tbody> <tr> <td>FA30008</td> <td>screen profile in polycarbonate L=9.84' (3000 mm)</td> <td style="text-align: right;">1</td> </tr> </tbody> </table>			Qty per bag	FA30008	screen profile in polycarbonate L=9.84' (3000 mm)	1																		
		Qty per bag																							
FA30008	screen profile in polycarbonate L=9.84' (3000 mm)	1																							
	<table border="1"> <thead> <tr> <th colspan="2"></th> <th style="text-align: right;">Qty per bag</th> </tr> </thead> <tbody> <tr> <td>FA30009</td> <td>right and left frame profile cap</td> <td style="text-align: right;">1</td> </tr> </tbody> </table>			Qty per bag	FA30009	right and left frame profile cap	1																		
		Qty per bag																							
FA30009	right and left frame profile cap	1																							
	<table border="1"> <thead> <tr> <th colspan="2"></th> <th style="text-align: right;">Qty per bag</th> </tr> </thead> <tbody> <tr> <td>FA30010_1013</td> <td>1.18" x 0.98" batten cap, RAL 1013</td> <td style="text-align: right;">50</td> </tr> <tr> <td>FA30010_7001</td> <td>1.18" x 0.98" batten cap, RAL 7001</td> <td style="text-align: right;">50</td> </tr> <tr> <td>FA30010_8017</td> <td>1.18" x 0.98" batten cap, RAL 8017</td> <td style="text-align: right;">50</td> </tr> <tr> <td>FA30010_8023</td> <td>1.18" x 0.98" batten cap, RAL 8023</td> <td style="text-align: right;">50</td> </tr> <tr> <td>FA30010_9005</td> <td>1.18" x 0.98" batten cap, RAL 9005</td> <td style="text-align: right;">50</td> </tr> <tr> <td>FA30010_9010</td> <td>1.18" x 0.98" batten cap, RAL 9010</td> <td style="text-align: right;">50</td> </tr> <tr> <td>FA30010_EXC</td> <td>1.18" x 0.98" batten cap, Exclusive digital printed wood-grain decoration</td> <td style="text-align: right;">50</td> </tr> </tbody> </table>			Qty per bag	FA30010_1013	1.18" x 0.98" batten cap, RAL 1013	50	FA30010_7001	1.18" x 0.98" batten cap, RAL 7001	50	FA30010_8017	1.18" x 0.98" batten cap, RAL 8017	50	FA30010_8023	1.18" x 0.98" batten cap, RAL 8023	50	FA30010_9005	1.18" x 0.98" batten cap, RAL 9005	50	FA30010_9010	1.18" x 0.98" batten cap, RAL 9010	50	FA30010_EXC	1.18" x 0.98" batten cap, Exclusive digital printed wood-grain decoration	50
		Qty per bag																							
FA30010_1013	1.18" x 0.98" batten cap, RAL 1013	50																							
FA30010_7001	1.18" x 0.98" batten cap, RAL 7001	50																							
FA30010_8017	1.18" x 0.98" batten cap, RAL 8017	50																							
FA30010_8023	1.18" x 0.98" batten cap, RAL 8023	50																							
FA30010_9005	1.18" x 0.98" batten cap, RAL 9005	50																							
FA30010_9010	1.18" x 0.98" batten cap, RAL 9010	50																							
FA30010_EXC	1.18" x 0.98" batten cap, Exclusive digital printed wood-grain decoration	50																							
	<table border="1"> <thead> <tr> <th colspan="2"></th> <th style="text-align: right;">Qty per bag</th> </tr> </thead> <tbody> <tr> <td>FA30011_1013</td> <td>1.18" x 2.95" batten cap, RAL 1013</td> <td style="text-align: right;">50</td> </tr> <tr> <td>FA30011_7001</td> <td>1.18" x 2.95" batten cap, RAL 7001</td> <td style="text-align: right;">50</td> </tr> <tr> <td>FA30011_8017</td> <td>1.18" x 2.95" batten cap, RAL 8017</td> <td style="text-align: right;">50</td> </tr> <tr> <td>FA30011_8023</td> <td>1.18" x 2.95" batten cap, RAL 8023</td> <td style="text-align: right;">50</td> </tr> <tr> <td>FA30011_9005</td> <td>1.18" x 2.95" batten cap, RAL 9005</td> <td style="text-align: right;">50</td> </tr> <tr> <td>FA30011_9010</td> <td>1.18" x 2.95" batten cap, RAL 9010</td> <td style="text-align: right;">50</td> </tr> <tr> <td>FA30011_EXC</td> <td>1.18" x 2.95" batten cap, Exclusive digital printed wood-grain decoration</td> <td style="text-align: right;">50</td> </tr> </tbody> </table>			Qty per bag	FA30011_1013	1.18" x 2.95" batten cap, RAL 1013	50	FA30011_7001	1.18" x 2.95" batten cap, RAL 7001	50	FA30011_8017	1.18" x 2.95" batten cap, RAL 8017	50	FA30011_8023	1.18" x 2.95" batten cap, RAL 8023	50	FA30011_9005	1.18" x 2.95" batten cap, RAL 9005	50	FA30011_9010	1.18" x 2.95" batten cap, RAL 9010	50	FA30011_EXC	1.18" x 2.95" batten cap, Exclusive digital printed wood-grain decoration	50
		Qty per bag																							
FA30011_1013	1.18" x 2.95" batten cap, RAL 1013	50																							
FA30011_7001	1.18" x 2.95" batten cap, RAL 7001	50																							
FA30011_8017	1.18" x 2.95" batten cap, RAL 8017	50																							
FA30011_8023	1.18" x 2.95" batten cap, RAL 8023	50																							
FA30011_9005	1.18" x 2.95" batten cap, RAL 9005	50																							
FA30011_9010	1.18" x 2.95" batten cap, RAL 9010	50																							
FA30011_EXC	1.18" x 2.95" batten cap, Exclusive digital printed wood-grain decoration	50																							
	<table border="1"> <thead> <tr> <th colspan="2"></th> <th style="text-align: right;">Qty per bag</th> </tr> </thead> <tbody> <tr> <td>FA30013</td> <td>complementary profiles clip</td> <td style="text-align: right;">100</td> </tr> </tbody> </table>			Qty per bag	FA30013	complementary profiles clip	100																		
		Qty per bag																							
FA30013	complementary profiles clip	100																							

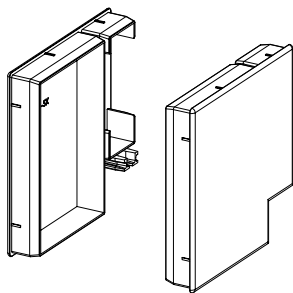
Tools legend

Clips and Connectors

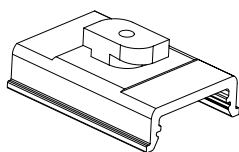
	<table border="1"> <thead> <tr> <th colspan="2"></th> <th style="text-align: right;">Qty per bag</th> </tr> </thead> <tbody> <tr> <td>FA30015</td> <td>support profile for curved surfaces L=3.28' (1000 mm)</td> <td style="text-align: right;">1</td> </tr> </tbody> </table>			Qty per bag	FA30015	support profile for curved surfaces L=3.28' (1000 mm)	1			
		Qty per bag								
FA30015	support profile for curved surfaces L=3.28' (1000 mm)	1								
	<table border="1"> <thead> <tr> <th colspan="2"></th> <th style="text-align: right;">Qty per bag</th> </tr> </thead> <tbody> <tr> <td>FA30016</td> <td>corner bracket kit for 1.57" x 2.95" batten</td> <td style="text-align: right;">25</td> </tr> </tbody> </table>			Qty per bag	FA30016	corner bracket kit for 1.57" x 2.95" batten	25			
		Qty per bag								
FA30016	corner bracket kit for 1.57" x 2.95" batten	25								
	<table border="1"> <thead> <tr> <th colspan="2"></th> <th style="text-align: right;">Qty per bag</th> </tr> </thead> <tbody> <tr> <td>FA30018</td> <td>hanging wire with spring for suspended ceilings</td> <td style="text-align: right;">1</td> </tr> </tbody> </table>			Qty per bag	FA30018	hanging wire with spring for suspended ceilings	1			
		Qty per bag								
FA30018	hanging wire with spring for suspended ceilings	1								
	<table border="1"> <thead> <tr> <th colspan="2"></th> <th style="text-align: right;">Qty per bag</th> </tr> </thead> <tbody> <tr> <td>FA30019</td> <td>hanging wire with open eyelet for suspended ceilings</td> <td style="text-align: right;">1</td> </tr> </tbody> </table>			Qty per bag	FA30019	hanging wire with open eyelet for suspended ceilings	1			
		Qty per bag								
FA30019	hanging wire with open eyelet for suspended ceilings	1								
	<table border="1"> <thead> <tr> <th colspan="2"></th> <th style="text-align: right;">Qty per bag</th> </tr> </thead> <tbody> <tr> <td>FA30022_9005</td> <td>0.98" corner batten cap, RAL 9005</td> <td style="text-align: right;">1</td> </tr> <tr> <td>FA30022/EXC</td> <td>0.98" corner batten cap, RAL Exclusive, Ezy and Sublimated decorations</td> <td style="text-align: right;">1</td> </tr> </tbody> </table>			Qty per bag	FA30022_9005	0.98" corner batten cap, RAL 9005	1	FA30022/EXC	0.98" corner batten cap, RAL Exclusive, Ezy and Sublimated decorations	1
		Qty per bag								
FA30022_9005	0.98" corner batten cap, RAL 9005	1								
FA30022/EXC	0.98" corner batten cap, RAL Exclusive, Ezy and Sublimated decorations	1								

Tools legend

Clips and Connectors



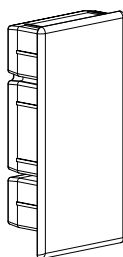
		Qty per bag
FA30023_9005	2.95" corner batten cap, RAL 9005	1
FA30023/EXC	2.95" corner batten cap, RAL Exclusive, Ezy and Sublimated decorations	1



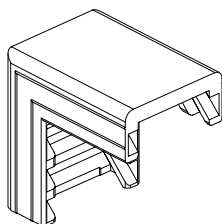
		Qty per bag
FA40001	1.57" batten nylon clip	100



		Qty per bag
FA40003_1013	1.57" x 0.98" batten cap, RAL 1013	50
FA40003_7001	1.57" x 0.98" batten cap, RAL 7001	50
FA40003_8017	1.57" x 0.98" batten cap, RAL 8017	50
FA40003_8023	1.57" x 0.98" batten cap, RAL 8023	50
FA40003_9005	1.57" x 0.98" batten cap, RAL 9005	50
FA40003_9010	1.57" x 0.98" batten cap, RAL 9010	50
FA40003_EXC	1.57" x 0.98" batten cap, Exclusive digital printed wood-grain decoration	50



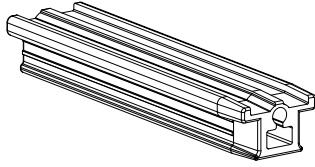
		Qty per bag
FA40004_1013	1.18" x 2.95" batten cap, RAL 1013	50
FA40004_7001	1.18" x 2.95" batten cap, RAL 7001	50
FA40004_8017	1.18" x 2.95" batten cap, RAL 8017	50
FA40004_8023	1.18" x 2.95" batten cap, RAL 8023	50
FA40004_9005	1.18" x 2.95" batten cap, RAL 9005	50
FA40004_9010	1.18" x 2.95" batten cap, RAL 9010	50
FA40004_EXC	1.18" x 2.95" batten cap, Exclusive digital printed wood-grain decoration	50



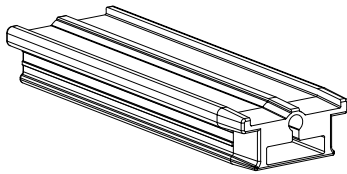
		Qty per bag
FA40005	1.57" plastic corner joint	50

Tools legend

Clips and Connectors



		Qty per bag
FA30021	safety device for 1.18" batten	50



		Qty per bag
FA40006	safety device for 1.57" batten	50

Before starting to work

- ☛ Ensure that the product is stored in a protected and dry environment, in order to protect the cardboard box and its label.
- ☛ Carefully handle packages containing SKIN products.
- ☛ Follow the specifications for the correct installation of the product.
- ☛ Wear appropriate safety equipment to ensure that the working environment is safe.
- ☛ Make sure you have all the correct equipment.

WARNINGS

- ☛ Install cladding and components in accordance with manufacturer's written installation guide and design drawings.
- ☛ Install all profiles using stainless steel in accordance with the manufacturer's written instructions.
All fasteners should penetrate into solid, secure framing or blocking.
- ☛ Install screw fasteners using power tools having controlled torque.
- ☛ Do not install damaged profiles; repair or replace as required.

STORAGE AND HANDLING

- ☛ The product can be stored outdoors, the aluminum will not be damaged by humidity and temperature change.
- ☛ The cardboard box may be damaged if exposed to the weather, as well as the label that highlights the content.
- ☛ Do not stack other material on pallets.
- ☛ To prevent damage to the material, do not bump and scrape against walls, floor or any other surface.

Low-maintenance



For a longer life it is recommended to wash the surfaces with plenty of water and mild soap, using soft brushes so as not to damage the finish.

During cleaning, you should definitely pay attention to the following aspects:

1. do not use acidic or alkaline detergents;
2. do not use abrasive products and/or materials;
3. do not use organic solvents (on powder coated surfaces);
4. do not use detergents of unknown chemical composition;
5. do not apply the products directly to the surfaces to be cleaned;
6. the surfaces during cleaning must be “cold” (Tmax=86°F) and not directly exposed to the sun;
7. detergents used for cleaning shall also be “cold” (Tmax=86°F) and vapour spray equipment shall not be used.



Specifications of the pallet

Material will be received on a pallet.

PALLET SIZE

maximum length: 16'6" (5030 mm)

maximum width: 29.3" (745 mm)

maximum height: 30.1" (766 mm)

Check the labels and make sure you have all the required components in your order

All profiles are wrapped in protective paper and labelled indicating number of pieces and product type.













Protection equipment

We recommend the appropriate use and application of the following tools during installation.

1 	2 	3 
Steel toe boots	Cut resistant gloves	Safety glasses
4 	5 	6 
Hard hat	Ear protection	Safety vest
7 	8 	
Fall protection	First aid	

Tools and accessories

The following general tool will also be required for installation.

1 	2 	3 	
Worktables	Miter saw with carbide blade non-ferrous 40-120 teeth	Power cord	
4 	5 	6 	
Drill	Drill bit set	Level	
7 	8 	9 	10 
Hammer	Rubber hammer	Tape measure	Laser level

INSTALLATION STEPS

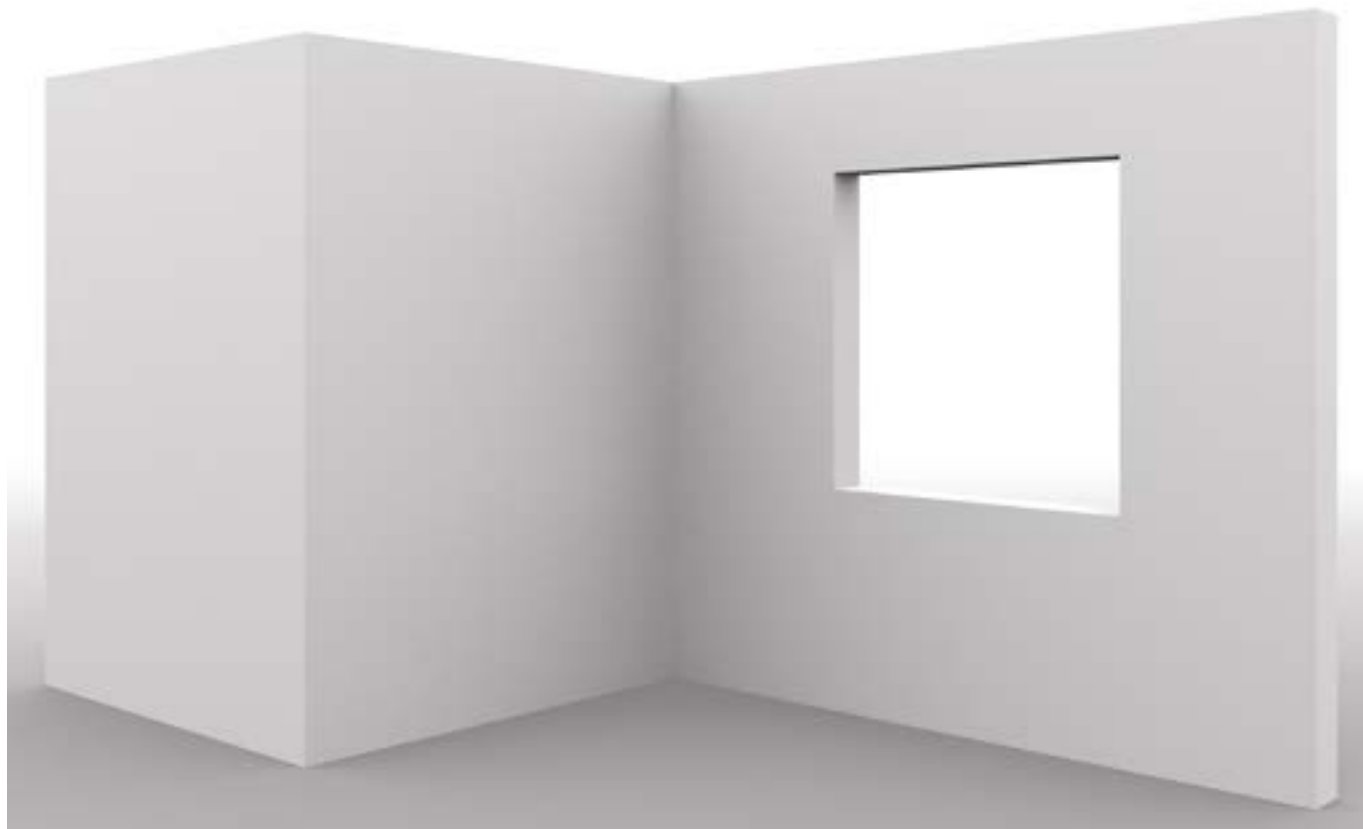
STEP 1 **START**

Wall preparation

Follow the local building codes.

Before starting the installation of the battens identify the substrate material:

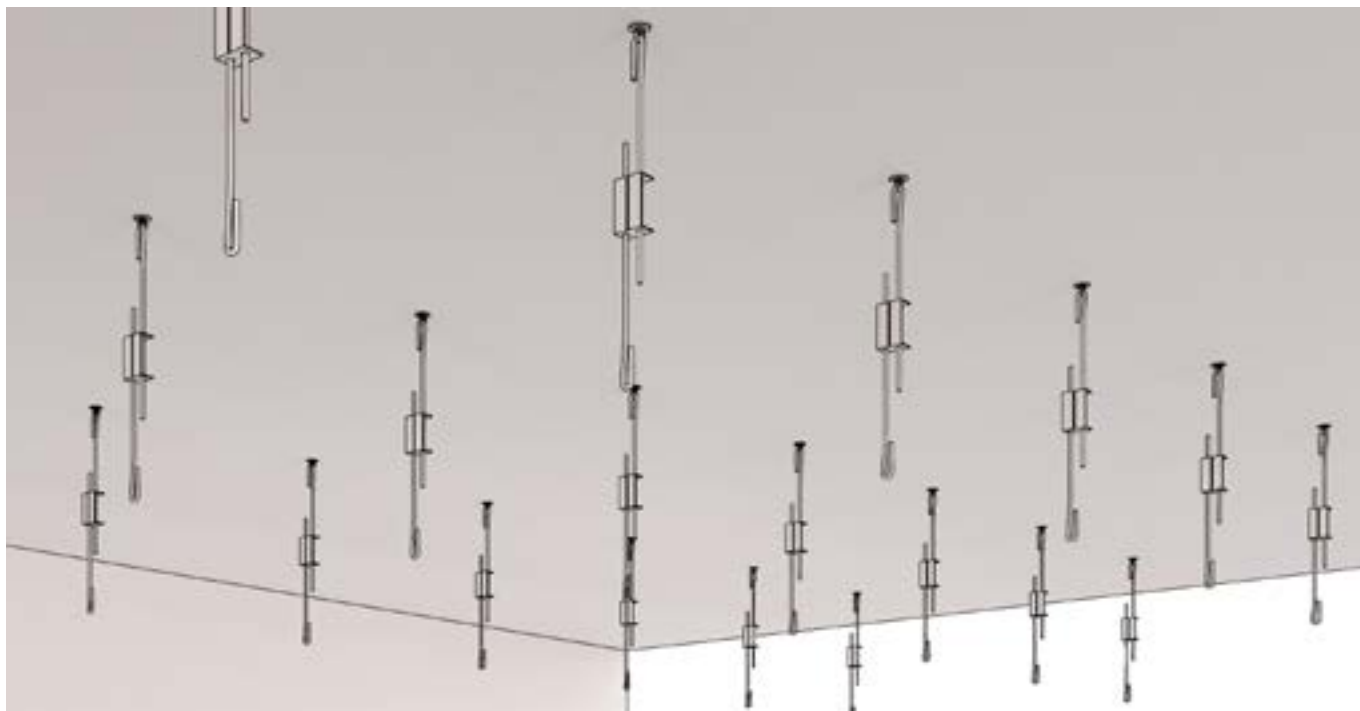
- direct to wood or MgO substrate;
- wood furring, or framing;
- metal furring, or framing.



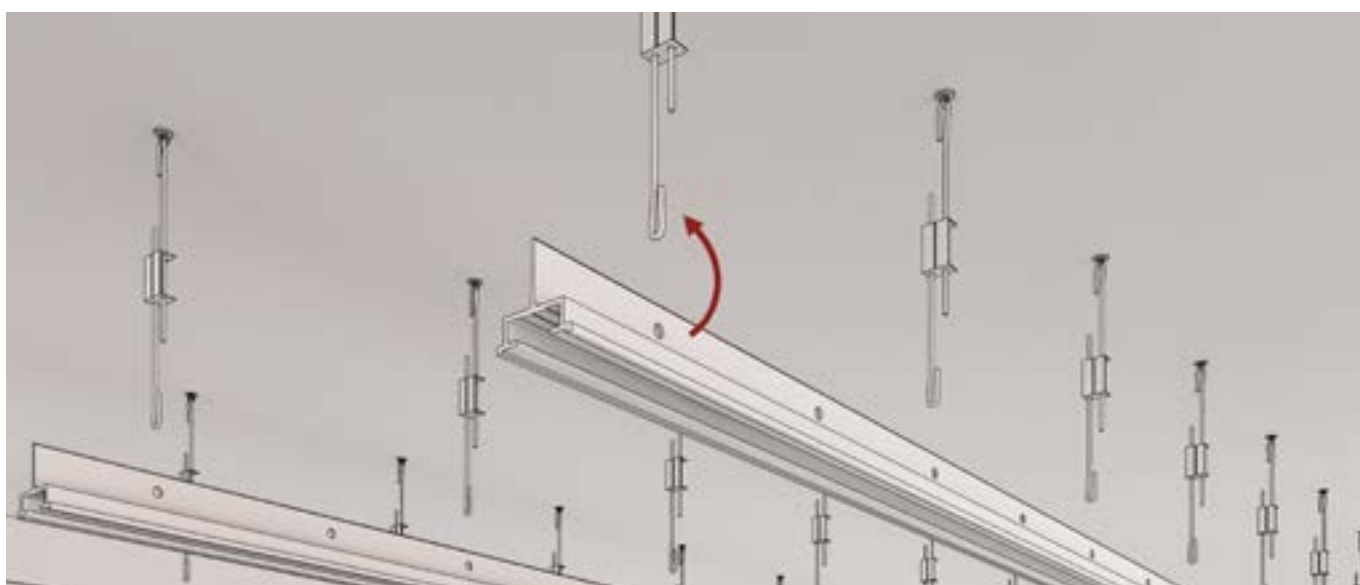
STEP 2

Place the hanging wires with the spring on the ceiling and ensure that they are aligned with the help of the laser level.

The maximum recommended distance between fixing bars is 2.5' (≈ 750 mm).



Hang the fixing bars for suspended ceilings.

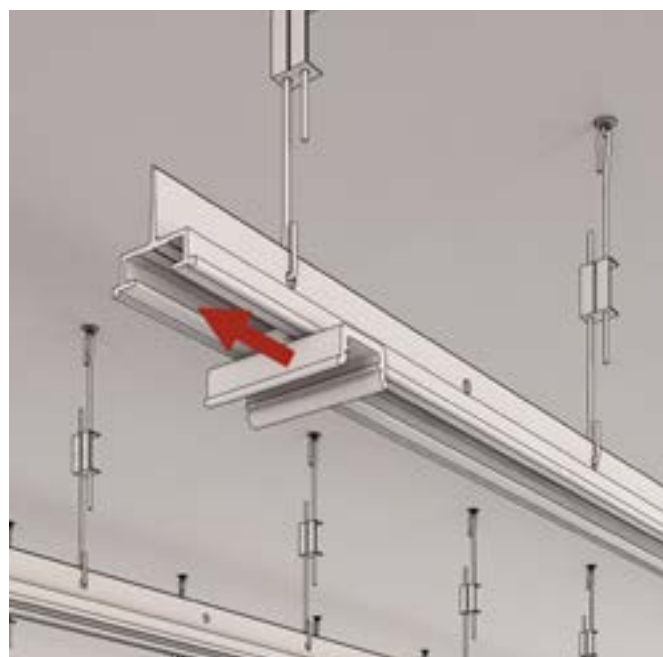
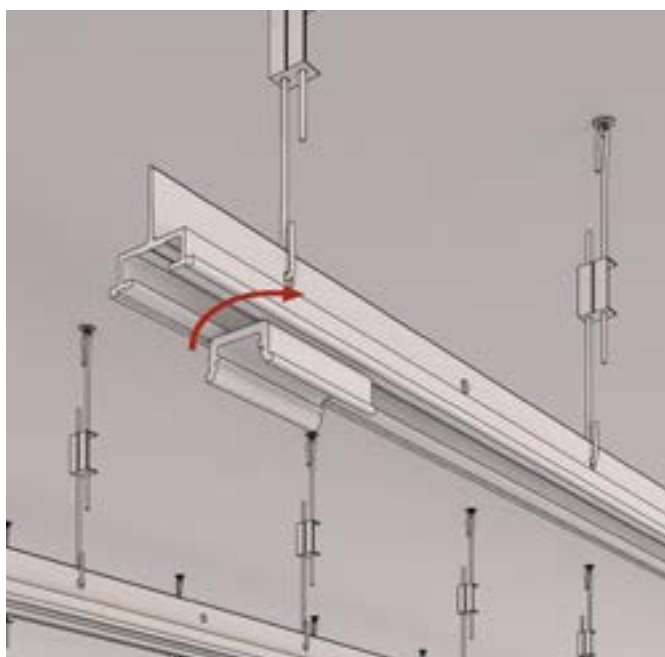


STEP 3

Place the clip into the fixing bar.



Rotate the clip by 90° in order to lock it.



STEP 3

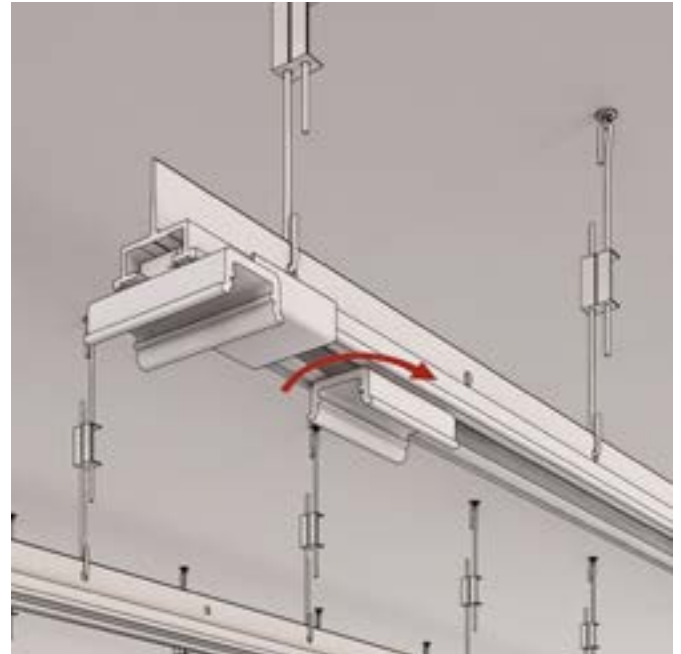
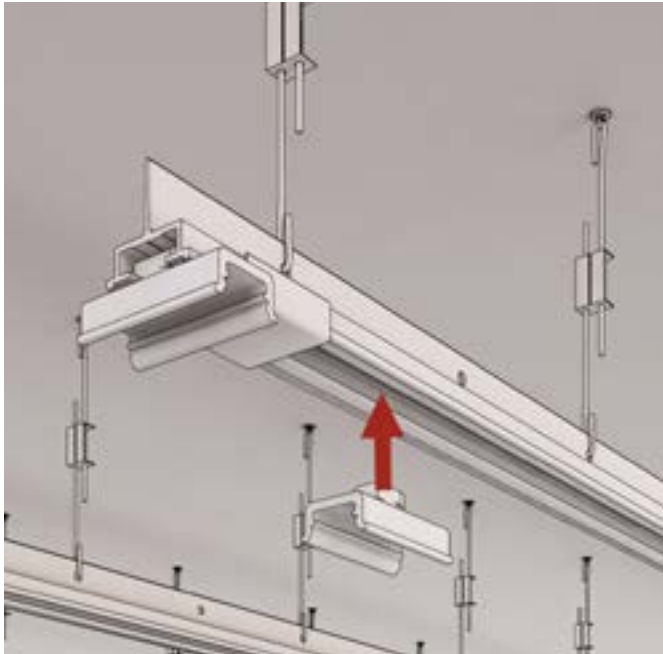
If you want to hide the substructure, the covers for fixing bars can be used between the clips or the spacers between battens.

In the first case snap the cover on the fixing bar and bring it closer to the first clip (the clip should be fixed with a screw in order to avoid its movement when the cover is placed).

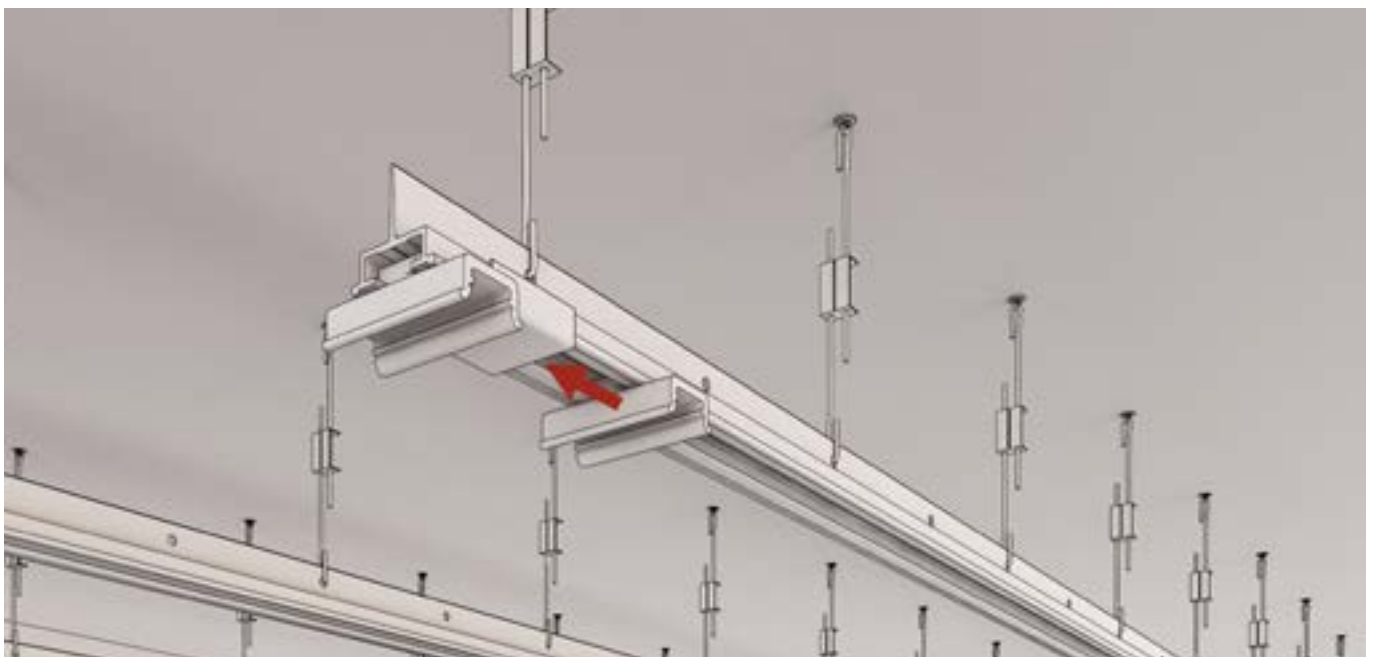


STEP 3

Place the second clip and rotate it.

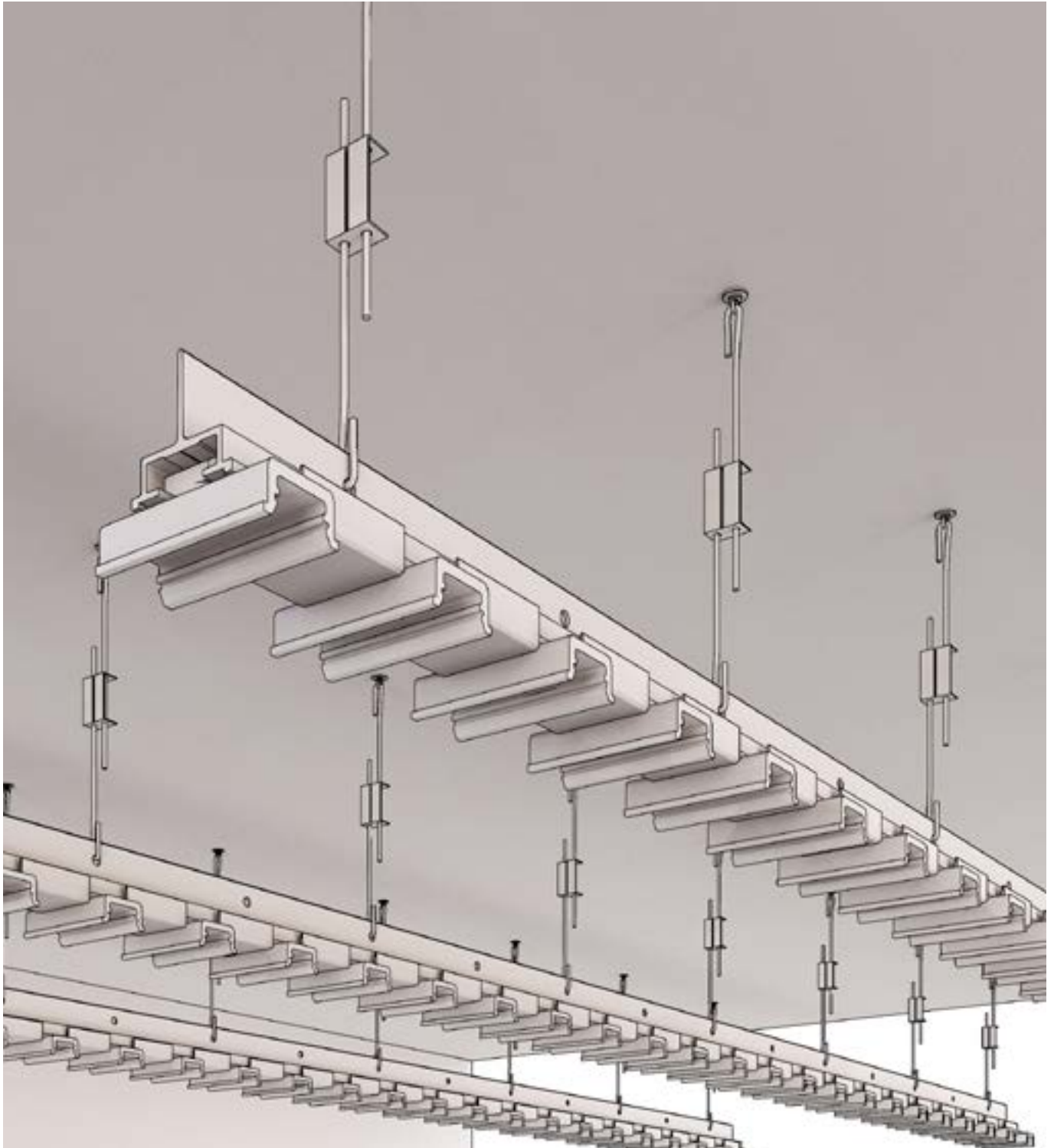


Bring the second clip closer to the cover.



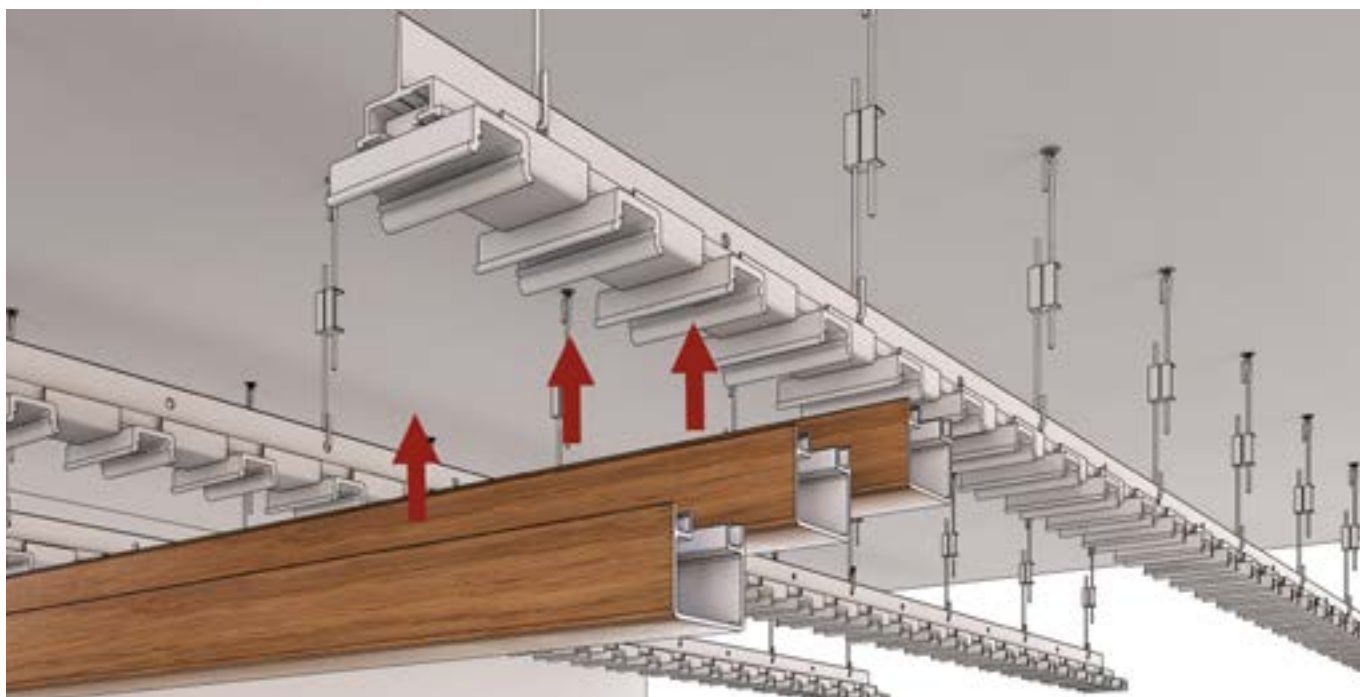
STEP 3

Place all the clips and covers.



STEP 4

Snap the battens on the clips.



SK N

Indoor & Outdoor
Aluminum Wall Cladding

formedesign.com

**FOR
ME**
DESIGN

DFV
GROUP

S.S. 275 km. 14,400 - 73030 Surano (Le)
tel. +39 0836 939328 - fax +39 0836 935270
info@formedesign.it

   [formedesign](http://formedesign.com)